

Advanced • TV™ Series



AT71P0 ATSC DUAL-PURPOSE DIGITAL EXCITER/TRANSMITTER



OFFERING INDUSTRY-LEADING BROADCAST SOLUTIONS— EMPOWERING BROADCASTERS TO DO MORE WITH LESS

LINEAR has a complete range of cost-effective, high performance flash-cut exciter and transmitter solutions to get you on the air fast—or allow you to upgrade a current digital operation.

LINEAR hardware and software provides best-in-class performance. Proprietary digital Pre-correction algorithms for non-linearity and equalization on passive components set us apart from the competition—along with our low cost of entry into the digital world.

LINEAR is a leading manufacturer of digital exciters and transmitters with state-of-the-art designs and world-class quality manufacturing.

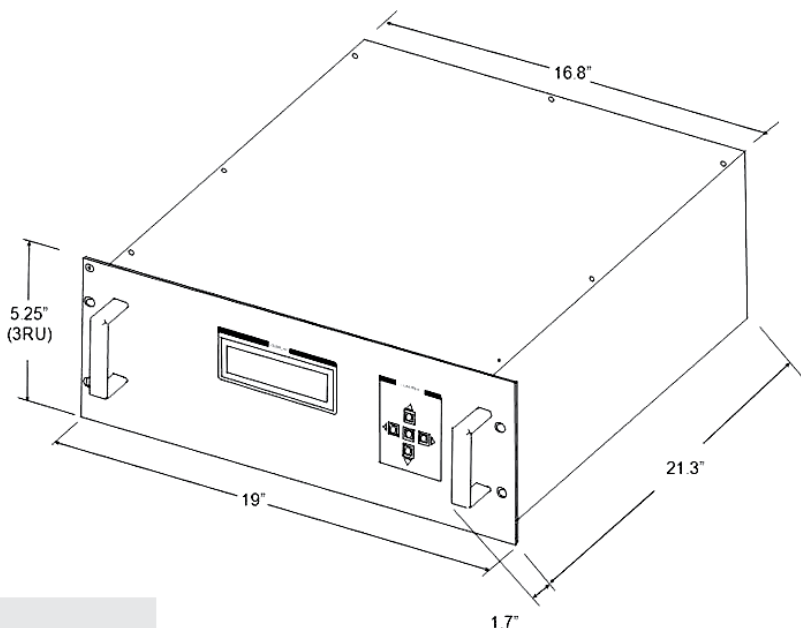
Not just digital. Better digital.™

Contact us today for more information.

AT71P0 ATSC DUAL-PURPOSE DIGITAL EXCITER/TRANSMITTER

FEATURES

- ▲ 1 W RF output
- ▲ Manual linear and non linear pre-correction
- ▲ 4 line x 40 column digital display
- ▲ PLL synthesized oscillator from a 10 MHz OCXO or by an external 10 MHz reference (for example: GPS)
- ▲ Front panel error indication, current and past alarms



TECHNICAL SPECIFICATIONS

Electrical

RF Power Output	1 W – N Connector
Mains	110 or 208 – 2 wire + Ground
Consumption	< 100 W

Signal Input

Transport Stream Input	SMPTE310M or ASI
Input Data Rate	19.39 Mbps
External Reference Signal	10 MHz (5 dBm +/- 3 dB)
Input Connector	75 (BNC)
Reference Input Connector	50 (BNC)

RF

Modulation Mode	8 VSB All Digital Complex IF Modulation
Channel Bandwidth	6 MHz
Test Signal	PRBS (Pseudo Random Bit Sequence)
Frequency Range	UHF ATSC
Frequency Step	1 Hz
Symbol Rate	10.76 MHz
Digital / Analog Converter	16 Bit
Non-linear Pre-correction	Included
Linear Pre-correction	Included
Spurious and Harmonics	< -80 dBc, FCC 47 Part 74
Modulation Error Ratio (MER)	> 32 dB

Communication

Hyper-terminal	RS232
External Command ON/OFF	DB9

Mechanical

Cooling	Forced Air
Dimensions	3 RU (H) 19" (W) 21.3" (D)
Weight	28 lbs

APPLICATIONS

- ▲ LPTV Transmitter (External Mask Filter Required)
- ▲ LPTV Translator (External Receiver / Decoder and Mask Filter Required)
- ▲ OEM Flash Cut

OPTIONS

- ▲ Mask Filter
- ▲ Translator Option (Receiver / Decoder)
- ▲ 19" Rack Cabinet



Linear Industries, Inc. 2531 Technology Dr., Suite 310 ▲ Elgin, IL 60124, USA ▲ 1.847.428.5793 ▲ www.linear-tv.com