

# Advanced • TV™ 7 Series

**AT725P ATSC DUAL-PURPOSE  
DIGITAL EXCITER/TRANSMITTER**



**OFFERING INDUSTRY-LEADING BROADCAST SOLUTIONS—EMPOWERING  
BROADCASTERS TO DO MORE WITH LESS.**



## **FAST FORWARD TO DIGITAL WITH LINEAR PERFORMANCE**

LINEAR has a complete range of cost-effective, high performance flash-cut exciter and transmitter solutions to get you on the air fast—or allow you to upgrade a current digital operation.

LINEAR hardware and software provides best-in-class performance. Proprietary digital pre-correction algorithms for non-linearity and equalization on passive components set us apart from the competition—along with our low cost of entry into the digital world.

LINEAR is a leading manufacturer of digital exciters and transmitters with state-of-the-art designs and world-class quality manufacturing.

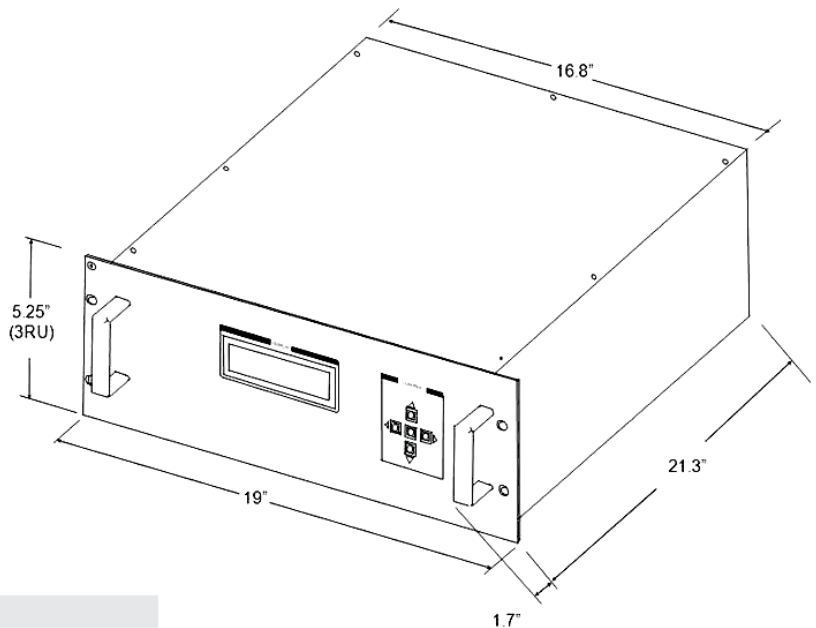
**Not just digital. Better digital.™**

**Contact us today for more information.**

# AT725P ATSC DUAL-PURPOSE DIGITAL EXCITER/TRANSMITTER

## FEATURES

- ▲ 25 W RF Output
- ▲ Manual linear and non linear pre-correction
- ▲ 4 line x 40 column digital display
- ▲ PLL synthesized oscillator from a 10 MHz OCXO or by an external 10 MHz reference (for example: GPS)
- ▲ Front panel error indication, current and past alarms



## TECHNICAL SPECIFICATIONS

### Electrical

RF Power Output	25 W - N Connector
Mains	208 or 240 - 2 wire + Ground
Consumption	150 W

### Signal Input

Transport Stream Input	SMPTE310M or ASI
Input Data Rate	19.39 Mbps
External Reference Signal	10 MHz. (5dBm +/-3dB)
Input Connector	75 (BNC)
Reference Input Connector	50 (BNC)

### RF

Modulation Mode	8 VSB All digital Complex IF Modulation
Channel Bandwidth	6 MHz
Test Signal	PRBS (Pseudo Random Bit Sequence)
Frequency Range	UHF Ch 14 - 69
Frequency Step	1 Hz
Symbol Rate	10.76 MHz
Digital/Analog Converter	16 Bit
Non-linear pre-correction	Included
Linear pre-correction	Included
Spurious and harmonics	< -80dBc, FCC 47 Part 74
MER	≥38 dB

### Communication

Hyper-terminal	RS232
External Command ON/OFF	DB9

### Mechanical

Cooling	Forced Air
Dimensions	3 RU (H) 19" (W) 21.3" (D)
Weight	31 LBS

## APPLICATIONS

- ▲ LPTV Transmitter (External Mask Filter required)
- ▲ LPTV Translator (External Receiver / Decoder and Mask Filter required)
- ▲ OEM Flash Cut

## OPTIONS

- ▲ Mask Filter
- ▲ Translator option (Receiver/Decoder)
- ▲ 19" Rack cabinet



Linear Industries, Inc. 2531 Technology Dr., Suite 310 ▲ Elgin, IL 60124, USA ▲ 1.847.428.5793 ▲ [www.linear-tv.com](http://www.linear-tv.com)